

Article

Optimal n-Type Al-Doped ZnO Overlayers for Charge Transport Enhancement in p-type Cu₂O Photocathodes

Hak Hyeon Lee ^{1,†}, Dong Su Kim ^{1,†}, Ji Hoon Choi ¹, Young Been Kim ¹, Sung Hyeon Jung ¹, Swagotom Sarker ², Nishad G. Deshpande ², Hee Won Suh ¹ and Hyung Koun Cho ^{1,*}

¹ School of Advanced Materials Science and Engineering, Sungkyunkwan University, 2066 Seobu-ro, Jangangu, Suwon, Gyeonggi-do 16419, Korea; zadxs@skku.edu (H.H.L.); dskim2846@naver.com (D.S.K.); Ji-hoon9290@skku.edu (J.H.C.); yb3201@skku.edu (Y.B.K.); wjdtdjgus2@skku.edu (S.H.J.); naekkeo@skku.edu (H.W.S.)

² Research Center for Advanced Materials Technology, Sungkyunkwan University, 2066 Seobu-ro, Jangangu, Suwon, Gyeonggi-do 16419, Korea; nicedeshpande@gmail.com (N.G.D.); swagotom@yahoo.com (S.S.)

* Correspondence: chohk@skku.edu (H.K.C.)

† These authors contributed equally to this article.

Citation: Lee, H.H.; Kim, D.S.; Choi, J.H.; Kim, Y.B.; Jung, S.H.; Sarker, S.; Deshpande, N.G.; Suh, H.W.; Cho, H.K. Optimal n-Type Al-Doped ZnO Overlayers for Charge Transport Enhancement in p-type Cu₂O Photocathodes. *Micromachines* **2021**, *12*, x. <https://doi.org/10.3390/xxxxx>

Academic Editor: Fabio Di Pietrantonio

Received: 23 February 2021

Accepted: 17 March 2021

Published: 22 March 2021

Publisher's Note: MDPI stays neutral with regard to jurisdictional claims in published maps and institutional affiliations.



Copyright: © 2021 by the authors. Licensee MDPI, Basel, Switzerland. This article is an open access article distributed under the terms and conditions of the Creative Commons Attribution (CC BY) license (<http://creativecommons.org/licenses/by/4.0/>).

Table S1. Band gap of prepared overlayers estimated by Tauc plot.

Sample	Band gap (eV)
ZnO	3.22
AZ@AZO	3.31
AA@AZO	3.33
ZA@AZO	3.29
ZZ@AZO	3.32

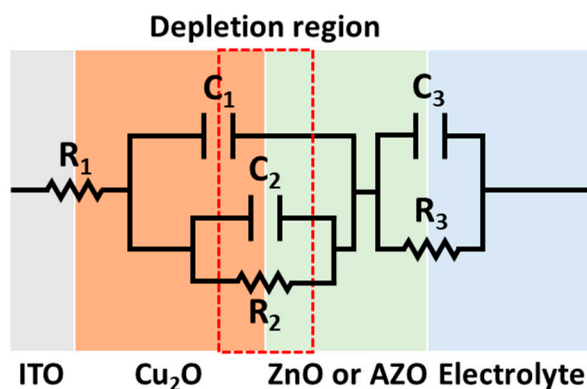


Figure S1. Equivalent circuit of prepared Cu₂O/overlayer photoelectrodes based on EIS study.

Table S2. Flat band potential and carrier density of overlayers estimated from Mott-Schottky analysis.

Sample	V _{fb} (V vs. RHE)	N _A (cm ⁻³)
ZnO	0.067	1.18 × 10 ¹⁷
AZ@AZO	-0.235	9.71 × 10 ¹⁷
AA@AZO	-0.282	1.58 × 10 ¹⁸
ZA@AZO	-0.139	1.47 × 10 ¹⁸
ZZ@AZO	-0.220	1.52 × 10 ¹⁸