

Table 1. The species included in the plant growth experiment 1) Plant response and 2) Soil feedback: a) soil training and b) feedback test, their scientific name, botanical family, taxon origin and growth habit.

ID	Scientific name	Botanical Family	Taxon origin	Taxon sub-origin	Growth habit	Experiment
Ca	<i>Chiococa alba</i>	Rubiaceae	Native	Indigenous	Shrub	1,2a
CaI	<i>Coffea arabica</i>	Rubiaceae	Introduced	Escaped	Shrub	1
Ce	<i>Cestrum auriculatum</i>	Solanaceae	Introduced	Escaped	Shrub	1
Co	<i>Cedrela odorata</i>		Introduced	Escaped	Tree	2a
Cp	<i>Cinchona pubescens</i>	Rubiaceae	Introduced	Escaped	Tree	1
Cs	<i>Croton scouleri</i> Var. <i>grandifolius</i>	Euphorbiaceae	Native	Endemic	Tree	1
Mc	<i>Momordica charantia</i>	Cucurbitaceae	Introduced	Escaped	Vine	1
Pd	<i>Pleuropetalum darwinii</i>	Amaranthaceae	Native	Endemic	Shrub	1
Pe	<i>Passiflora edulis</i>	Passifloraceae	Introduced	Escaped	Vine	1
Pg	<i>Psidium guajava</i>	Myrtaceae	Introduced	Escaped	Tree	1,2a,b
Pgg	<i>Psidium galapageium</i>	Myrtaceae	Native	Endemic	Tree	1,2a,b
Pp	<i>Pennisetum purpureum</i>	Poaceae	Introduced	Escaped	Herb	1,2a
Pr	<i>Psychoria rufipes</i>	Rubiaceae	Native	Endemic	Shrub	1,2a,b
Ps	<i>Passiflora suberosa</i>	Passifloraceae	Native	Indigenous	Vine	1
Si	<i>Sporobulus indicus</i>	Poaceae	Native	Indigenous	Vine	1,2a,b
So	<i>Senna occidentalis</i>	Caesalpinaceae	Native	Indigenous	Shrub	1
Sp	<i>Scalesia pedunculata</i>	Asteraceae	Native	Endemic	Tree	1,2a,b
Spi	<i>Senna pistaciifolia</i>	Caesalpinaceae	Native	Indigenous	Shrub	1
Tr	<i>Tournefortia rufo-sericea</i>	Boraginaceae	Native	Endemic	Shrub	1
Uu	<i>Urtica urens</i>	Urticaceae	Introduced	Questionable I.	Herb	1
Zf	<i>Zanthoxylum fagara</i>	Rubiaceae	Native	Indigenous	Shrub	1

Table 2. Analysis of Variance of Feedback Test experiment (Log (1+Aboveground biomass)).

Source	DF	Type III SS	Mean Square	F Value	Pr > F
L_1*Sp_Id	5	1.10028461	0.22005692	3.69	0.0033
Sp_Id	4	2.23054014	0.55763504	9.35	<.0001
soiltreat	8	1.34648911	0.16831114	2.82	0.0056
live vs sterile	1	0.02079965	0.02079965	0.35	0.5555
Sp_Id*soiltreat	32	4.20686737	0.13146461	2.21	0.0006
live vs sterile*native	1	0.31358198	0.31358198	5.26	0.023
feedback*native	1	0.35850287	0.35850287	6.01	0.0151
feedback of sp1	1	0.50231212	0.50231212	8.43	0.0042
feedback of sp2	1	0.01937574	0.01937574	0.33	0.5693
feedback of sp3	1	0.10861239	0.10861239	1.82	0.1788
feedback of sp4	1	0.05088547	0.05088547	0.85	0.3568
feedback of sp5	1	0.02306165	0.02306165	0.39	0.5347
Error	182	10.84952725	0.05961279		

Table S3. Mean values of the plant–soil feedback experiment. Values represent the mean \pm SE. For the statistical analysis, see S2. Ca *Chiococa alba*, Pg *Psidium guajava*, Pgg *Psidium galapageium*, Pp *Pennisetum purpureum*, Pr *Psychoria rufipes*, Si *Sporobolus indicus*, Sp *Scalesia pedunculata*. Information about the flora botanical family, taxon origin and growth habit is presented in Table 1.

Plant Id	Soil treatment	Labove LSMEAN	Standard Error	Pr > t
Pg	Pg	0.59080366	0.14758207	<.0001
	Pgg	1.16755638	0.10445184	<.0001
	Pr	1.01286324	0.14068893	<.0001
	Si	0.69780643	0.14068893	<.0001
	Sp	1.43862346	0.10445184	<.0001
	XCa	1.12698647	0.10445184	<.0001
	XCo	1.04747777	0.14068893	<.0001
	XPp	0.85396742	0.19237759	<.0001
	XXC	0.70177873	0.14068893	<.0001
Pgg	Pg	0.40361728	0.18924185	0.0343
	Pgg	0.54511933	0.12033788	<.0001
	Pr	0.6542746	0.18924185	0.0007
	Si	0.68887641	0.16036339	<.0001
	Sp	0.64214158	0.2019411	0.0017
	XCa	0.45252838	0.11177707	<.0001
	XCo	0.53619564	0.18924185	0.0051
	XPp	0.38522047	0.18924185	0.0432
	XXC	0.47404782	0.11177707	<.0001
Pr	Pg	1.40811653	0.22586838	<.0001
	Pgg	0.69943943	0.10592432	<.0001
	Pr	0.96518677	0.12333193	<.0001
	Si	0.98363927	0.13749439	<.0001
	Sp	0.88043427	0.10189043	<.0001
	XCa	1.29127913	0.15920428	<.0001
	XCo	1.28199082	0.15678918	<.0001
	XPp	1.28403247	0.15010941	<.0001
	XXC	1.1512548	0.24282688	<.0001
Si	Pg	1.49033873	0.19651831	<.0001
	Pgg	1.40163355	0.16687478	<.0001
	Pr	1.84852365	0.27993089	<.0001
	Si	1.44431291	0.22017554	<.0001
	Sp	1.82420619	0.25998368	<.0001
	XCa	1.85248341	0.28721893	<.0001
	XCo	1.69024501	0.17513159	<.0001
	XPp	1.54579252	0.18344403	<.0001
	XXC	1.7364868	0.22130609	<.0001
Sp	Pg	1.15942636	0.11078079	<.0001
	Pgg	1.58193245	0.11616811	<.0001
	Pr	1.28300097	0.10010498	<.0001
	Si	1.06983266	0.11416082	<.0001
	Sp	1.48516327	0.10951158	<.0001
	XCa	1.25324828	0.10727506	<.0001
	XCo	1.41608775	0.17505192	<.0001
	XPp	1.63877323	0.10990013	<.0001
	XXC	1.37064061	0.10727506	<.0001

Table S4. Characteristics of the study sites: type of disturbance, vegetation type, introduced and native plant species, plots and their geographical location .

Site	Disturbance Type	Vegetation Type	Introduced Plant species	Native Plant Species	Plot	Latitude	Longitude
CM	Invaded	Introduced	<i>Psidium guajava</i> <i>Tradescantia fluminensis</i> <i>Cestrum auriculatum</i> <i>Psidium guajava</i> <i>Passiflora edulis</i>	<i>Croton scouleri</i> <i>Psychotria rufipes</i> <i>Psidium galapageium</i> <i>Zanthoxylum fagara</i> <i>Ichnantus nemorosus?</i> <i>Thelypteris sp.</i> <i>Asplenium auritum</i> <i>Tournefortia rufosericea</i> <i>Passiflora colinvauxii</i> <i>Blechnum pyramidatum</i> <i>Spermacoce remota</i> <i>Chiococca alba</i> <i>Blechnum occidentale</i>	1	-	-
					2	0.63755	90.2997
					3	-	-
					4	0.63735	90.2993
					5	-	-
					6	0.63737	90.2989
					7	-0.6372	-
					8	-	-
					9	0.63755	90.2987
					10	-	-
CMR	Disturbed	Introduced	<i>Pennisetum purpureum</i>	N/A	1	-0.6397	-
					2	-	-90.29
					3	0.63962	90.2993
					4	-	-90.29
					5	0.63952	90.2993
F	Invaded	Introduced	<i>Cedrela odorata</i> <i>Cordia alliodora</i> <i>Rubus niveous</i> <i>Paspalum conjugatum</i> <i>Cestrum auriculatum</i>	<i>Drymaria monticola</i> <i>Kyllinga brevifolia</i> <i>Mecardonia procumbens</i> <i>Brachiaria multiculma</i>	1	-	-
					2	0.65853	90.4092
					3	-0.6587	-
					4	90.4091	-
					5	0.65872	90.4094
FR	Disturbed	Introduced	<i>Acmella sodiroi</i> <i>Desmodium glabrum</i> <i>Digitaria ciliaris</i> <i>Eleusine indica</i> <i>Hyptis pectinata</i> <i>Oxalis corniculata</i> <i>Paspalum conjugatum</i> <i>Pennisetum purpureum</i> <i>Plantago major</i> <i>Pseudelephantopus spiralis</i>	<i>Drymaria monticola</i> <i>Kyllinga brevifolia</i> <i>Mecardonia procumbens</i> <i>Brachiaria multiculma</i>	1	.	.
					2	.	.
					3	.	.
					4	.	.
					5	.	.

*Solanum
americanum
Astrephia
chaerophylloides
Verbena litoralis*

	Native:		<i>Megalastrum pleiosorus</i>	1	- 0.62965	-90.367
GA	Native	<i>Cestrum auriculatum</i>	<i>Passiflora colinvauxii</i>	2	- 0.62967	- 90.3673
		<i>Cinchona pubescens</i>	<i>Pilea baurii</i>		3	- 0.62973
		<i>Ichnanthus nemorosus</i>	<i>Psychotria rufipes</i>	4		- 0.62985
		<i>Rubus niveus</i>	<i>Tournefortia rufo- sericea</i>			

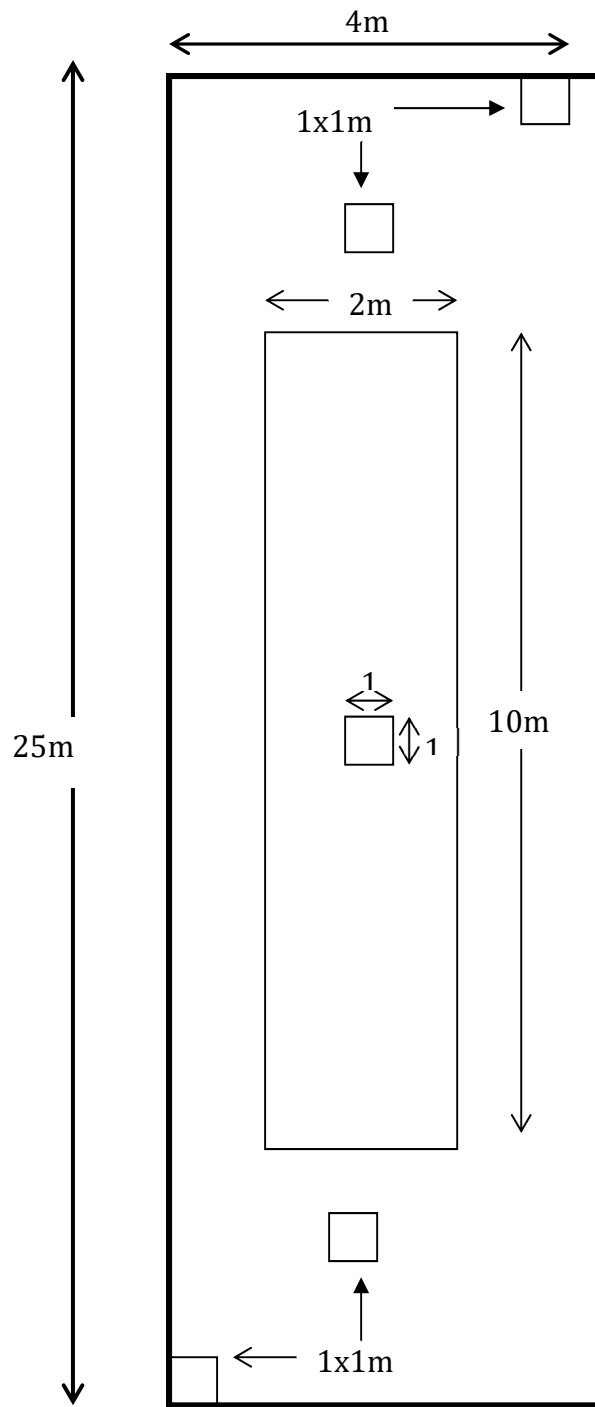


Figure 1. Layout of the plot and subplots of the Modified-Whittaker nested vegetation sampling method used to measure vegetation diversity.