

KickStat: A Coin-Sized Potentiostat for High-Resolution Electrochemical Analysis

Orlando S. Hoilett¹, Jenna F. Walker¹, Bethany M. Balash¹, Nicholas J. Jaras², Sriram Boppana¹ and Jacqueline C. Linnes^{1,*}

¹ Weldon School of Biomedical Engineering, Purdue University, West Lafayette, IN 47907, United States; ohoilett@purdue.edu (O.S.H.); walke327@purdue.edu (J.F.W.); bmdoehrm@purdue.edu (B.M.B.); boppana113@gmail.com (S.B.); jlinnes@purdue.edu (J.C.L.)

² School of Electrical and Computer Engineering, Purdue University, West Lafayette, Indiana 47907, United States; njaras24@gmail.com

* Correspondence: jlinnes@purdue.edu; Tel.: +1-765-494-2995

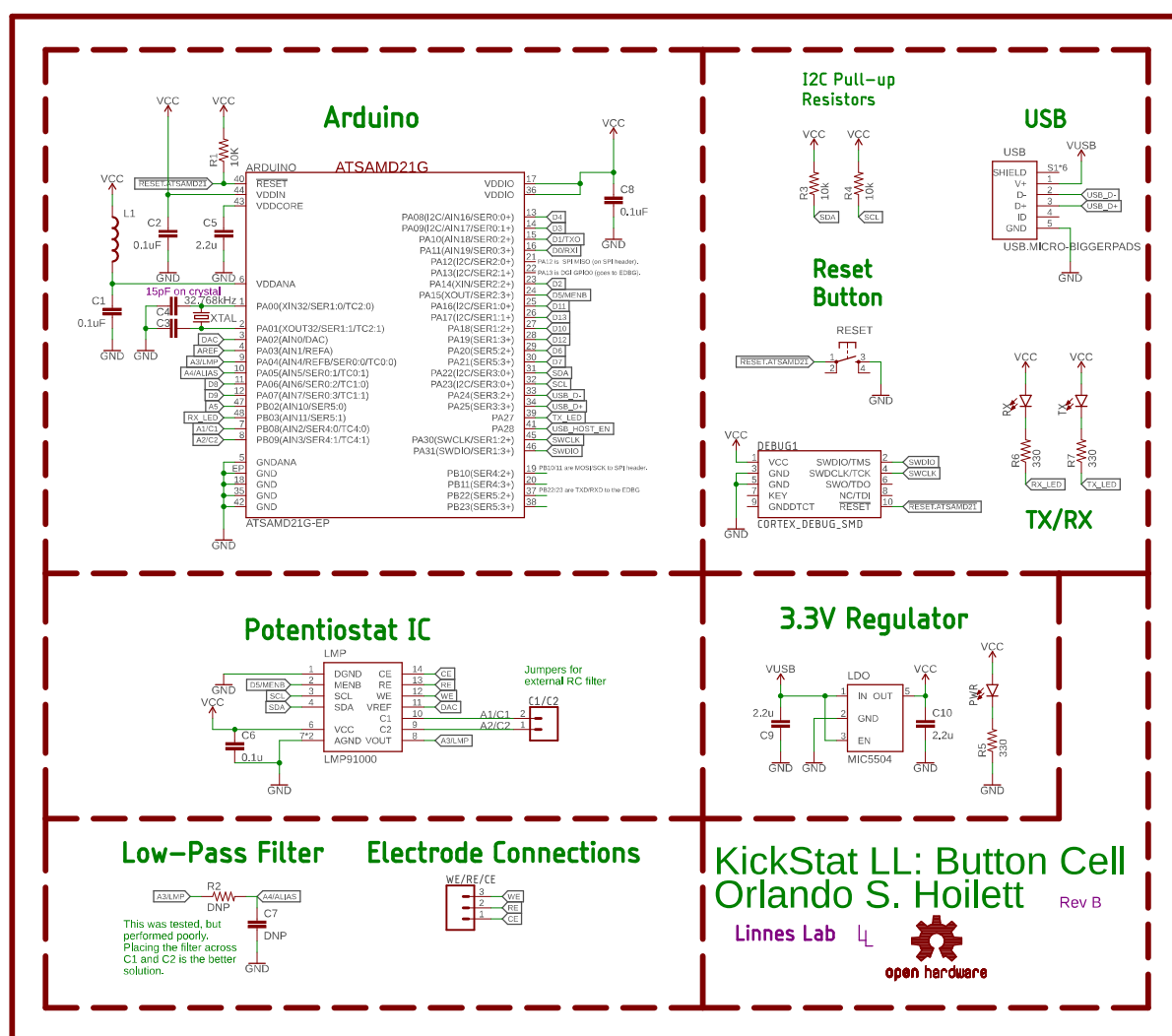


Figure S1. Full KickStat schematic.

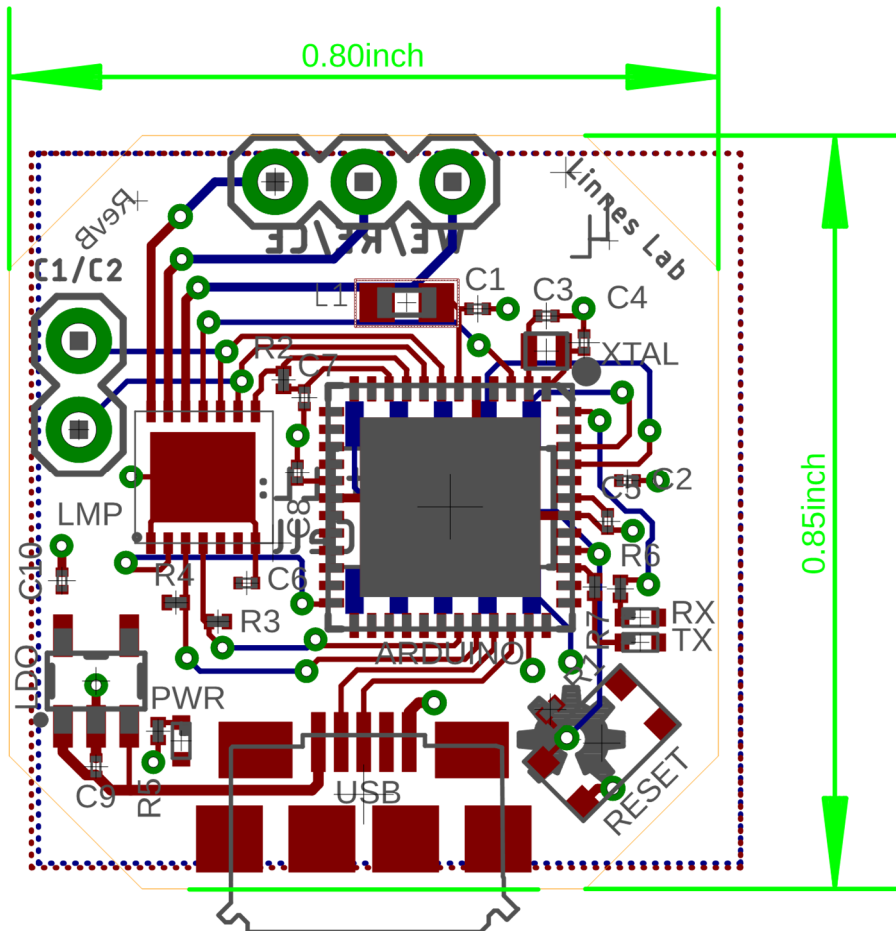


Figure S2. KickStat board layout.